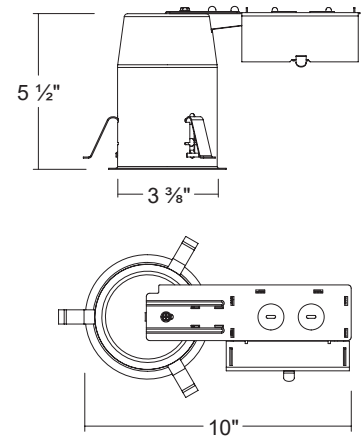


## LED350ICRA / LED350ICRA-01V

3.5" IC Air-Tight LED Dedicatd Remodel Housing



### Dimensions



## SPECIFICATION

### Junction Box

- Listed for through branch circuit wiring
- Contains one 1-1/8", six 7/8" knockouts and four Romex pryouts with strain relief

### Remodel Clips

- Three remodel clips secure housing and accommodates 1/2" and 5/8" ceiling materials

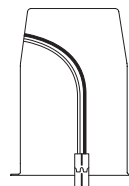
### Listings

- cULus Listed for Damp Location
- cULus Listed for Feed Through
- Certified under ASTM-E283 for Air tight construction

## CONNECTOR

### LED350ICRA

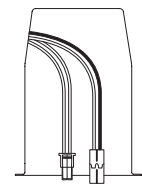
Triac Dimming Ver.



Ideal connector

### LED350ICRA-01V

0-10V Dimming Ver.



Molex connector Ideal connector

## ORDERING INFORMATION

Model No.	Dimming	Description
LED350ICRA	Triac Dimming	3.5" IC Air-Tight Dedicated Remodel Housing
LED350ICRA-01V	0-10V Dimming	3.5" IC Air-Tight Dedicated Remodel Housing

## COMPATIBLE TRIMS

### LED350ICRA

#### Model NO.

LRKT3571  
LRKT35XX Series  
LRKT3571-3CCT  
LRKT35XX-3CCT Series  
LRKT3571-5CCT  
LRKT35XX-5CCT Series

#### Description

3.5 & 3.7 inch LED Round Gimbal Retrofit kit  
3 & 3.5 & 3.7 inch LED All Retrofit kit Series  
3.5 & 3.7 inch Selectable 3 CCT LED Round Gimbal Retrofit kit  
3 & 3.5 & 3.7 inch Selectable 3 CCT LED All Retrofit kit Series  
3.5 & 3.7 inch Selectable 5 CCT LED Round Gimbal Retrofit kit  
3 & 3.5 & 3.7 inch Selectable 5 CCT LED All Retrofit kit Series

### LED350ICRA-01V

#### Model NO.

LRKT3571-5CCT-M  
LRKT35XX-5CCT-M Series

#### Description

3.5 & 3.7 inch Selectable 5 CCT LED Round Gimbal Retrofit kit  
3 & 3.5 & 3.7 inch Selectable 5 CCT LED All Retrofit kit Series